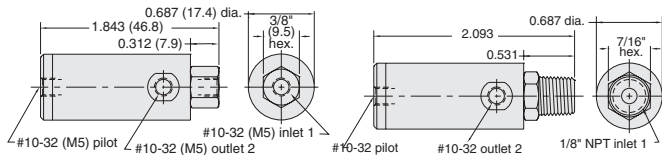




SPECIALTY COMPONENTS

Piloted Actuated Water Drawback Valves

When this Normally-Closed valve closes a spring biased internal piston draws back a small volume on outlet side (approx. 6-7" in 1/8" I.D. tube) thus preventing overflow or dribbles. Ideal for use in quenching or water spray applications.



Medium: Water or Other Light Liquids

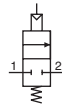
Input Pressure: 100 psig/10 bar max.

Pilot Pressure: 25 psig min.

Flow: 74 cu. in. H₂O per min. @ 80 psig

Drawback: 0.07 cu. in. (1.2 ml)

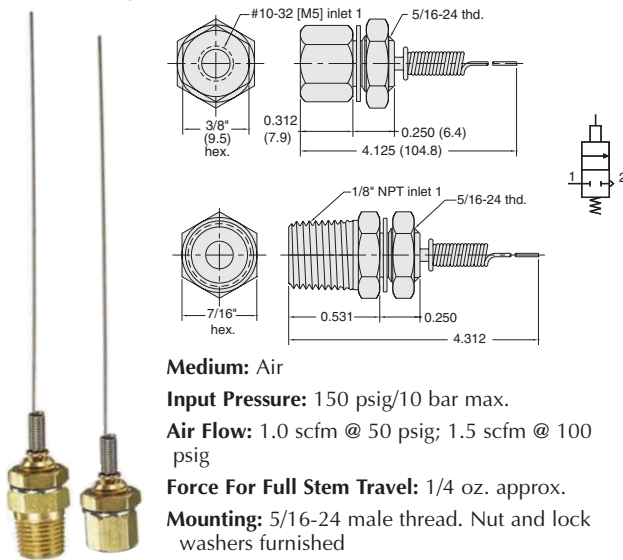
Mounting: Mounts in-line



| Part No. | Description |
|----------|---------------------------------------|
| WDV-2 | Poppet Valve with Air Pilot, #10-32 |
| WDV-2-M5 | Poppet Valve with Air Pilot, M5 |
| WDV-2P | Poppet Valve with Air Pilot, 1/8" NPT |

2-Way Normally-Closed Whisker Valve

For use with bleed pressure piloted control circuits. Coil spring stainless steel whisker is easily replaceable and can be formed to different shapes.



Medium: Air

Input Pressure: 150 psig/10 bar max.

Air Flow: 1.0 scfm @ 50 psig; 1.5 scfm @ 100 psig

Force For Full Stem Travel: 1/4 oz. approx.

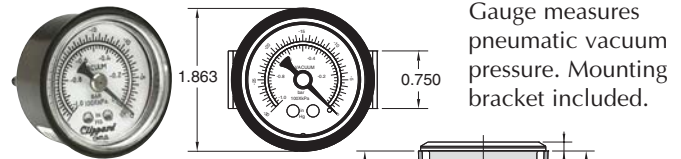
Mounting: 5/16-24 male thread. Nut and lock washers furnished

Bleed: To atmosphere around whisker stem

Whisker: Stainless steel, approx. 3" (76.2) length. Replacement Part No. 12375

| Part No. | Description |
|----------|---|
| MWV-1 | Normally-Closed Whisker Valve, #10-32 |
| MWV-1-M5 | Normally-Closed Whisker Valve, M5 |
| MWV-1P | Normally-Closed Whisker Valve, 1/8" NPT |

Vacuum Gauge



Gauge measures pneumatic vacuum pressure. Mounting bracket included.

Range: Scale reading from 0 to 30" Hg. and 0 to -1 bar

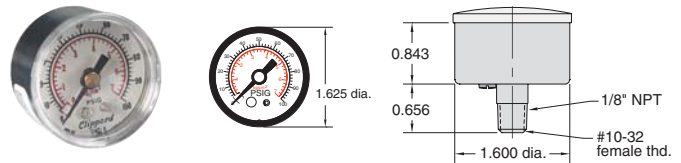
Construction: Nickel-plated steel case. Plastic face. Dial shows two ranges; Hg in black. bars in red. Built-in pressure snubber.

Ports: Connection located at rear is double threaded O.D. - male thread 1/8" NPT, I.D. - tapped for #10-32 fitting

Mounting: Stud mount using 1/8" NPT center stud or panel mount using the zinc plated steel bracket supplied.

| Part No. | Description |
|----------|--------------|
| VG-30 | Vacuum Gauge |

Pressure Gauges



Gauge measures pneumatic system pressure. Stud mounted.

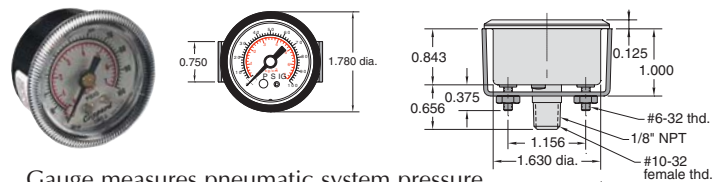
Range: Scale reading from 0 to 100 psig and 0 to 6.9 bar

Construction: Steel case. Plastic face. Dial shows two ranges; psig in black. Bars in red. Built-in pressure snubber.

Ports: Connection located at rear is double threaded O.D. - male thread 1/8" NPT; I.D. - tapped for #10-32 fitting

Mounting: Direct with 1/8" NPT

| Part No. | Description |
|-----------|-------------------------------|
| PG-101-BK | Pressure Gauge, Black Case |
| PG-101-NP | Pressure Gauge, Nickel-Plated |



Gauge measures pneumatic system pressure. Mounting bracket included.

Input Pressure: Scale reading from 0 to 100 psig and 0 to 6.9 bar

Construction: Nickel-plated steel case. Plastic face. Dial shows two ranges; psig in black. Bars in red. Built-in pressure snubber.

Ports: Connection located at rear is double threaded O.D. - male thread 1/8" NPT I.D. - tapped for #10-32 fitting

Mounting: With zinc plated steel bracket supplied

| Part No. | Description |
|----------|----------------|
| PG-100 | Pressure Gauge |